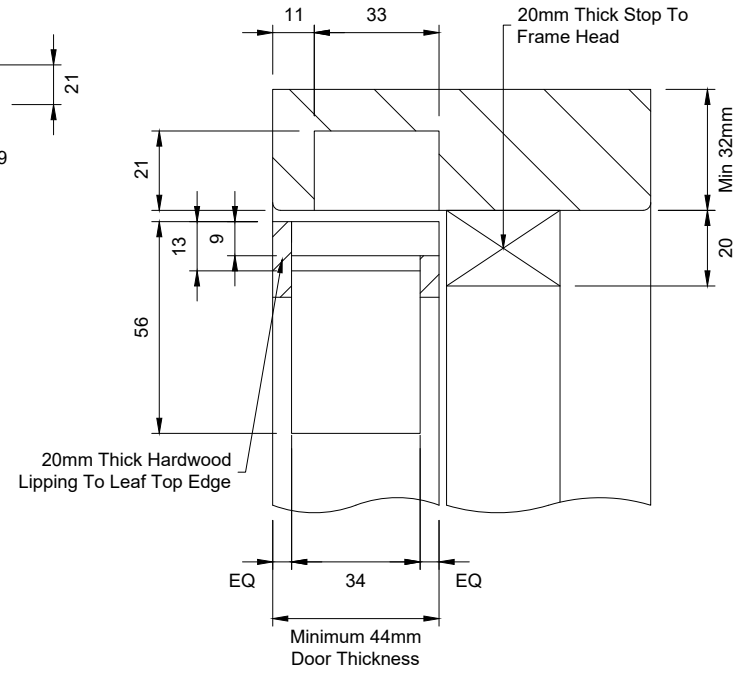
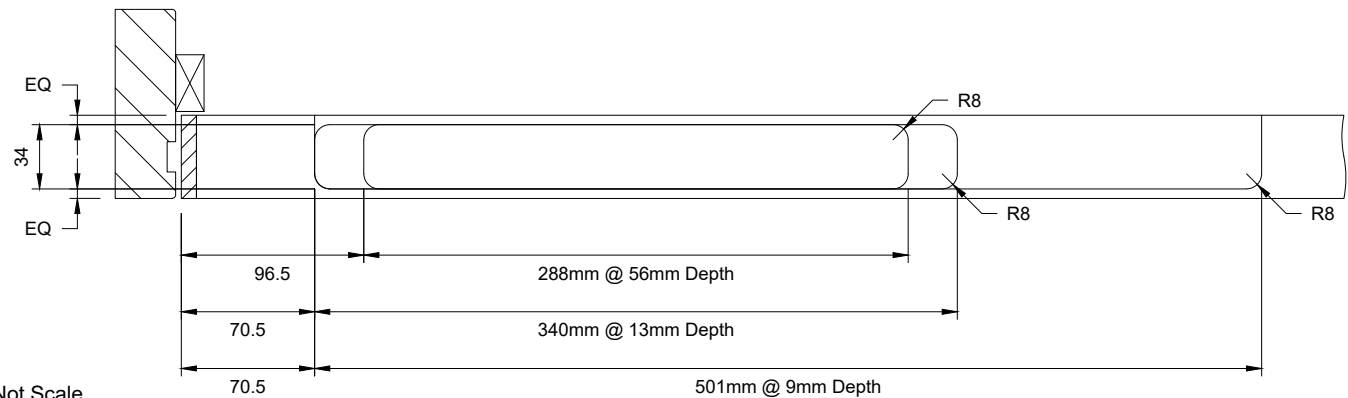
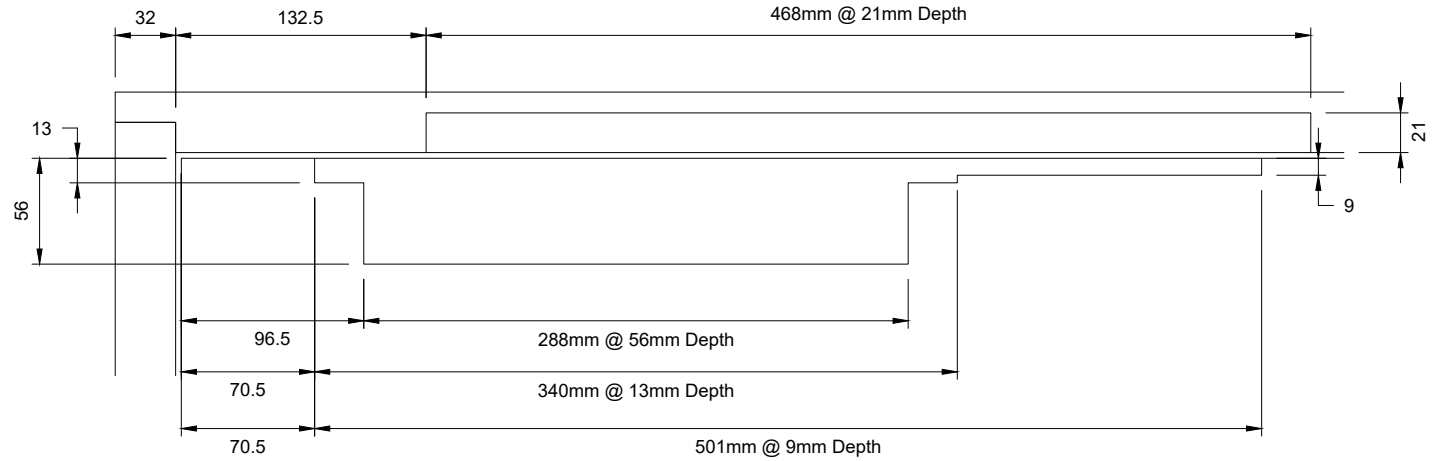
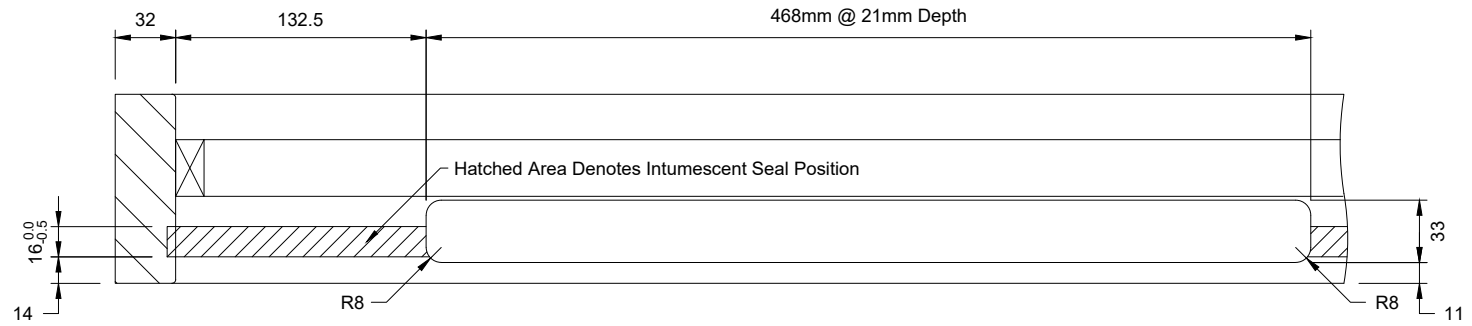


All Dimensions Are In mm Unless Stated

Notes:

- Minimum 44mm Door Thickness
- 20mm Thick Hardwood Lipping To Leaf Top Edge (Min 640kg/m³)
- 20mm Thick Stop To Frame Head (Planted On Or Rebated)
- Soft/Hardwood Frame (Min 510kg/m³), Min 32mm Thick Frame Section
- All Rebates For Closer To Be Fitted With Intumescent Material As Per Manufactures Instructions. See CF140
- **Dimensions Include Allowances For Intumescent Material**



Do Not Scale.

If In Doubt Ask!

Description: **Concealed Closer Machining - FD30 - 44mm Core - Dormakaba ITS96 2-4**

Drawn By: **O BOOY**
 Size: **As Above**
 Job No: _____

Approved: **Approved**
 Rev: _____
 Tolerance: **±0.25mm**

Date: **19/05/2026**
 Fire Rating: **FD30**

Cert / FoA Ref: _____

Drawing No: **DP19707**
 Rev02

© Doorpac Ltd

 Unit 6, Ranskill Court,
 Sheffield,
 S9 5FZ